

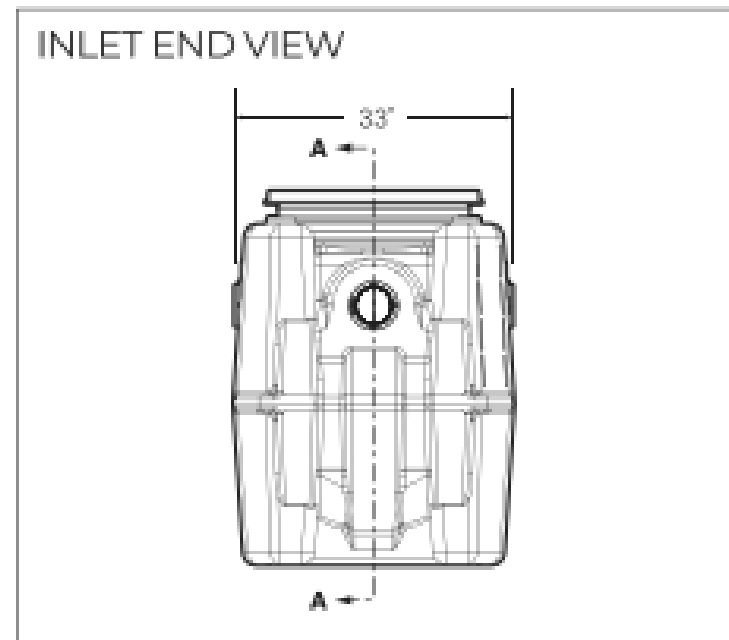
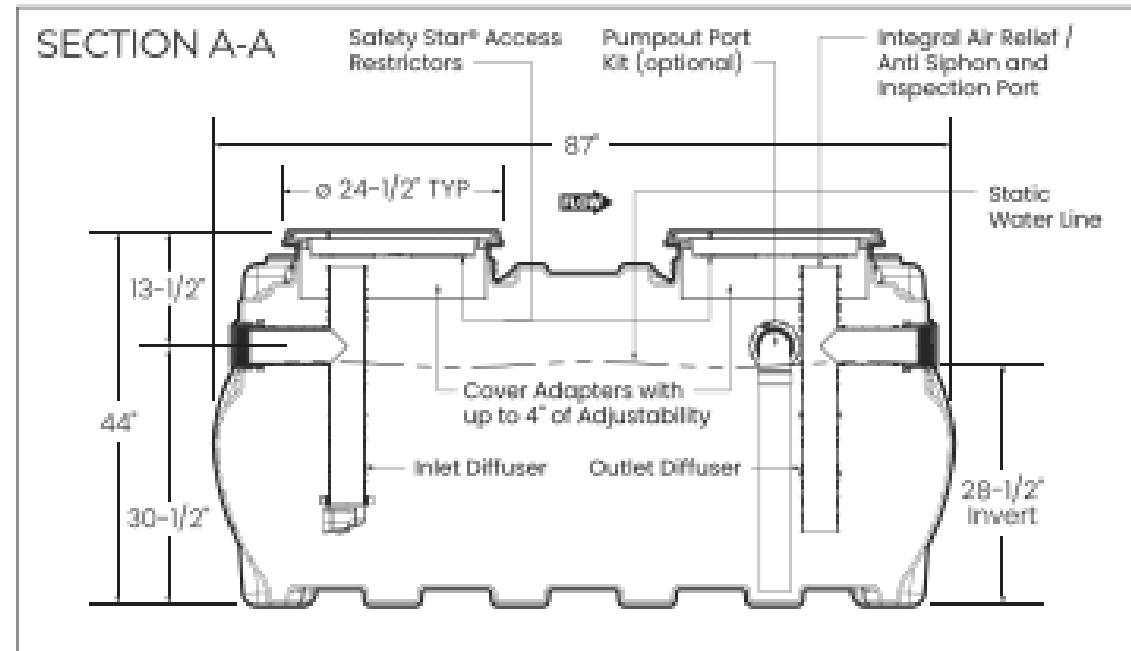
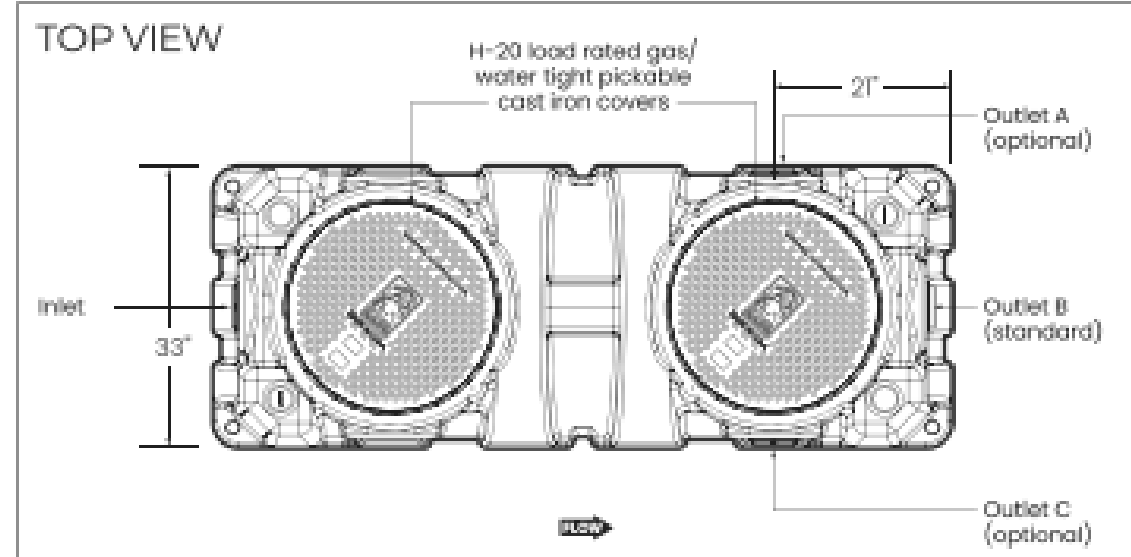
SPECIFICATIONS

- NOTES**
- 4" FPT with 4" plain end adapters, single inlet and triple outlet.
 - Unit weight = w/cast iron covers: 376 lbs.; w/composite covers: 266 lbs. (For wet weight add 2.30 lbs.)
 - Maximum operating temperature: 52° F continuous.
 - Capacities - Liquids: 277 gal.; @100 GPM - Grease: 1895 lbs.; @200 GPM - Grease: 1196 lbs. Solids: 18 gal.
 - This unit does not require flow control for 100 GPM applications. Built-in Flow control is provided for 200 GPM applications. For series installations, only install flow control on the first unit in the series if necessary.
 - For gravity drainage applications only. Do not use for pressure applications.
 - Cover placement allows full access to tank for proper maintenance.
 - Vent not required unless per local code.
 - Engineered inlet and outlet diffusers are removable to inspect / clean piping.
 - Integral air relief / Anti-siphon / Sampling access.
 - Adjustable cover adapters provide up to 4" of additional height.
 - Fixed outlet models (FO) have inlet and outlet permanently welded at the factory in the straight-through (S) position.
 - Flow rates are based on 2-minute drain time.
 - Safety Start® access restrictor built into each cover adapter; prevents accidental entry to tanks (450 lb. rating).

DIFFUSION FLOW TECHNOLOGY
The inlet diffuser reduces turbulence, creates laminar flow and allows the entire tank volume to be utilized for efficient grease separation and minimal disturbance to existing grease and sediment layers. The inlet diffuser can be attached to any of the three inlets provided to ease job site piping layouts. The integral air relief / anti-siphon at the outlet diffuser top allows pressure stabilization within the unit during operation. The outlet diffuser can easily be attached to any of the three outlets provided to ease job site piping layouts.

ENGINEER SPECIFICATION GUIDE
Schier Great Basin® grease interceptor model # GB-250 shall be lifetime guaranteed and made in USA of seamless, rotationally-molded polyethylene. Interceptor shall be furnished for above or below grade installation. Interceptor shall be certified to ASME A112.14.3 (Type D for 100 GPM type C for 200 GPM) and CSA 448.11, with adjustable cover adapters. Safety Start® access restrictor built into each cover adapter; built-in flow control (for 200 GPM only) and three outlet options. Interceptor flow rate shall be 100 or 200 GPM. Interceptor grease capacity shall be 1895 lbs. @ 100 GPM or 1196 lbs. @ 200 GPM. Cover shall provide water/gas-tight seal and have minimum 16,000 lbs. load capacity.

CERTIFIED PERFORMANCE
Great Basin® hydro-mechanical grease interceptors are third party performance tested and listed by IAPMO to ASME #A112.14.3 and CSA 448.11 grease interceptor standards and greatly exceed requirements for grease separation and storage. They are compliant to the Uniform Plumbing Code and the International Plumbing Code.



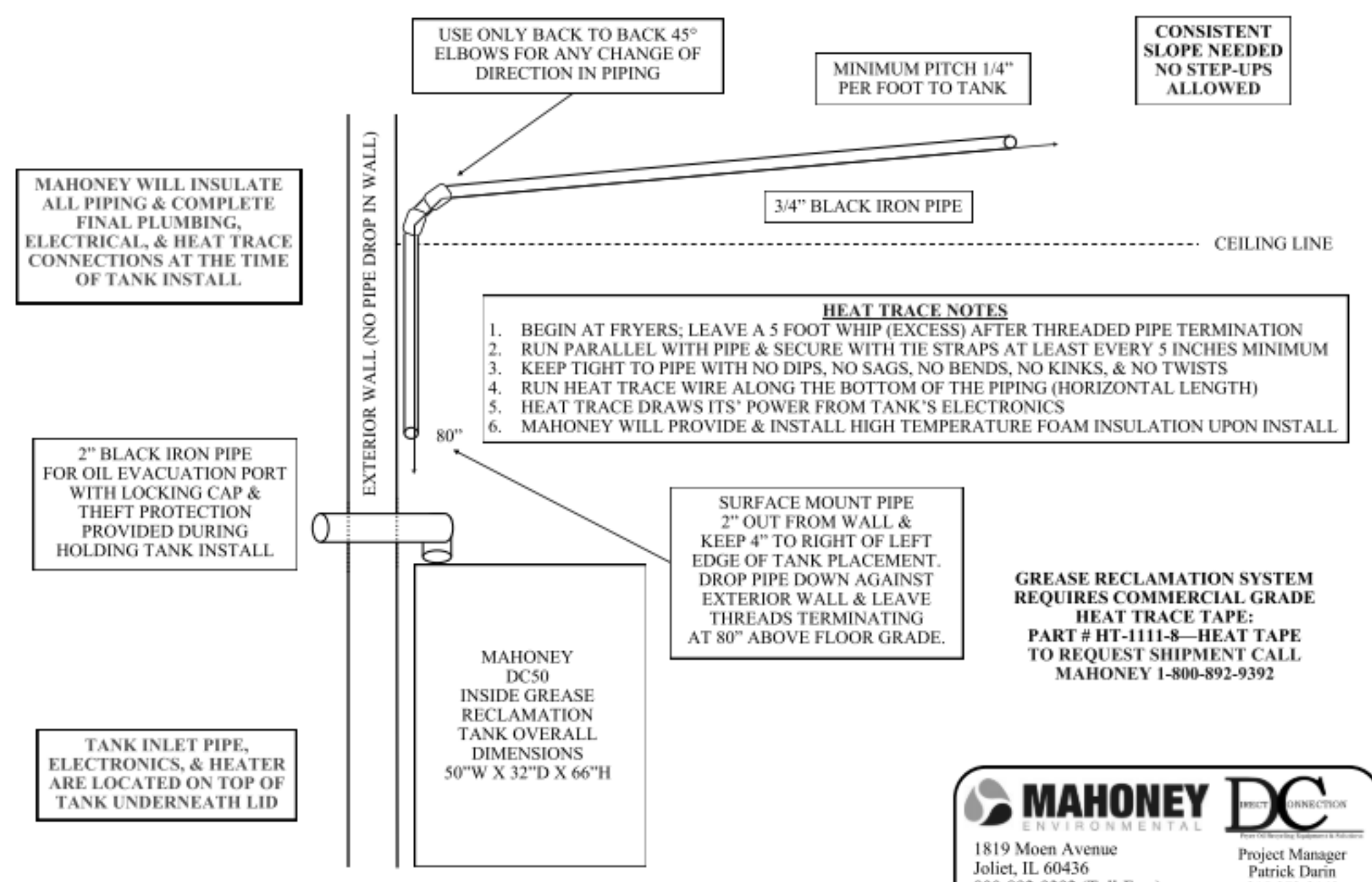
Rated Grease Capacities for Units Piped in Series

No. of Units in Series	100 GPM	200GPM
1	3,790 lbs.	2,392 lbs.
2	5,665 lbs.	3,589 lbs.
3	7,540 lbs.	4,786 lbs.

	MODEL NUMBER:	DESCRIPTION:
	GB-250	100/200 GPM Polyethylene Grease Interceptor
9500 Woodend Road Edwardsville, IL 62611 618-951-3300 schierproducts.com	PART # 4055-001-02	DWG BY B. Komer
	DATE: 6/26/2020	REV: ECO

© Copyright 2020 Schier Products Company

BUFFALO WILD WINGS INSIDE GREASE RECLAMATION TANK ROUGH-IN PLUMBING

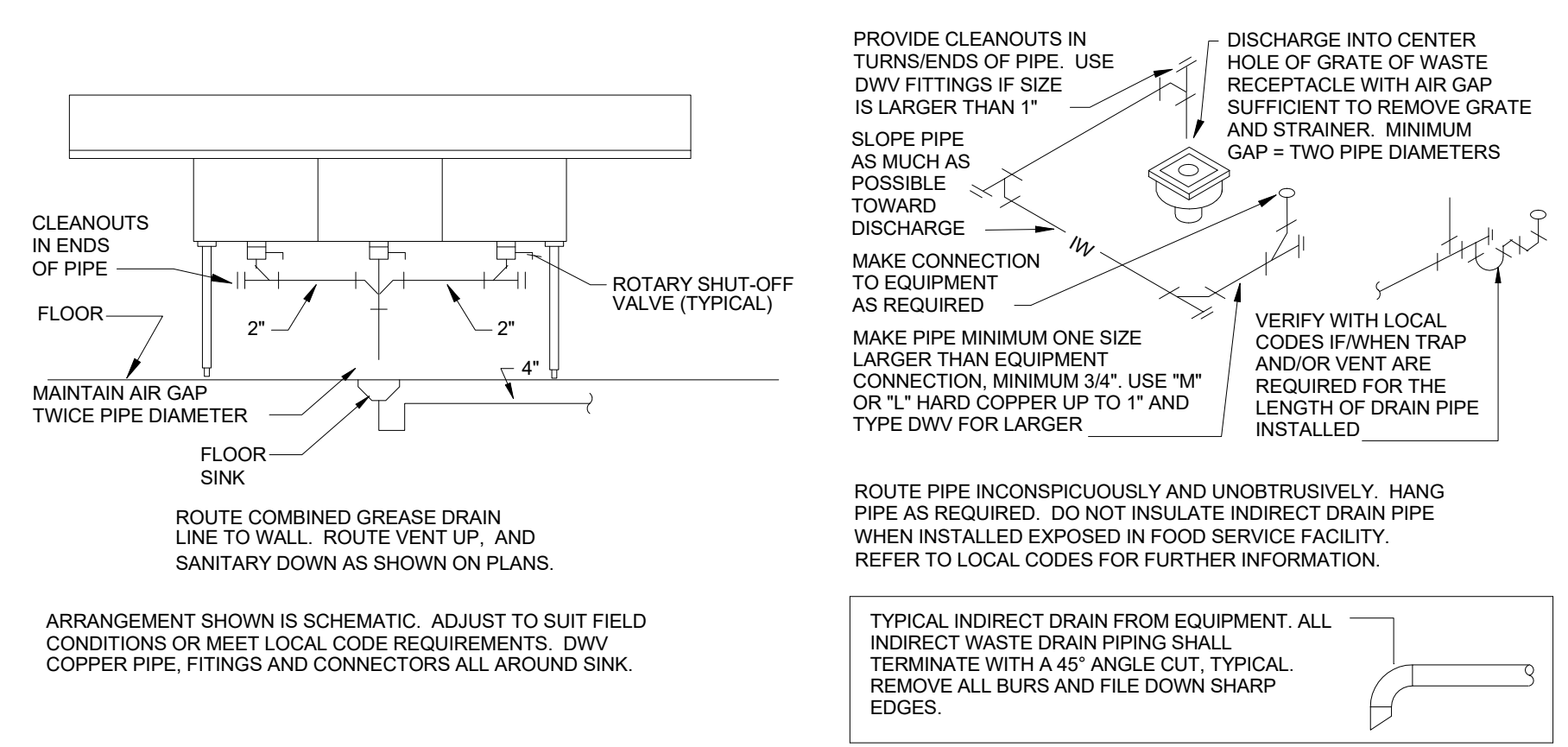


MAHONEY DC
1819 Moen Avenue
Joliet, IL 60436
800-892-9392 (Toll-Free)
815-741-6443 (Fax)
www.mahoneydc.com

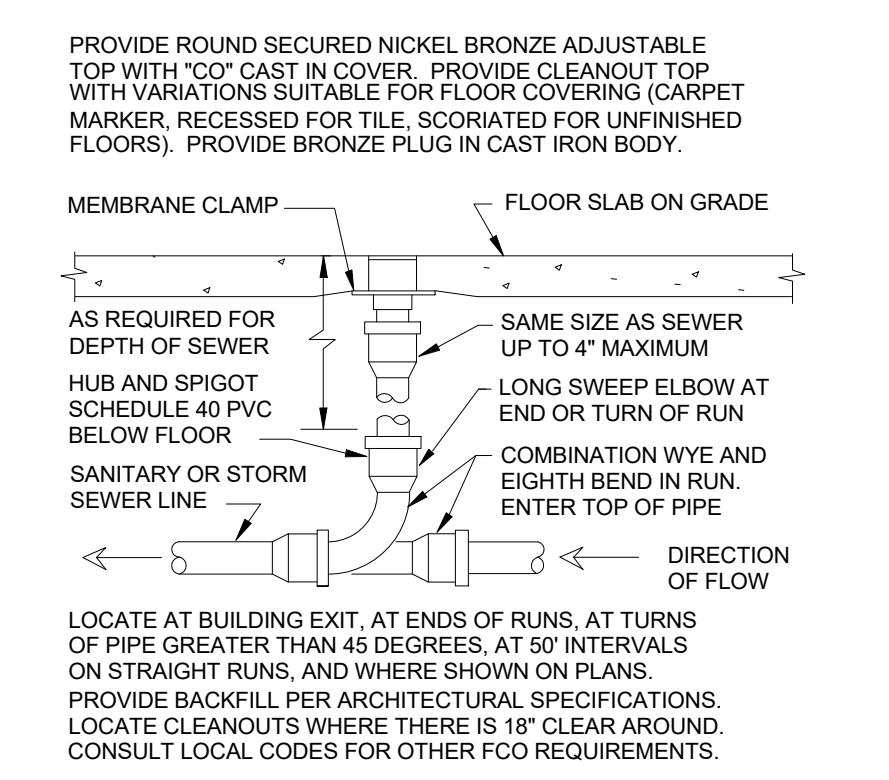
Project Manager
Patrick Darin
815-272-2140
patrickd@mahoneydc.com

REV: 09/25/2018

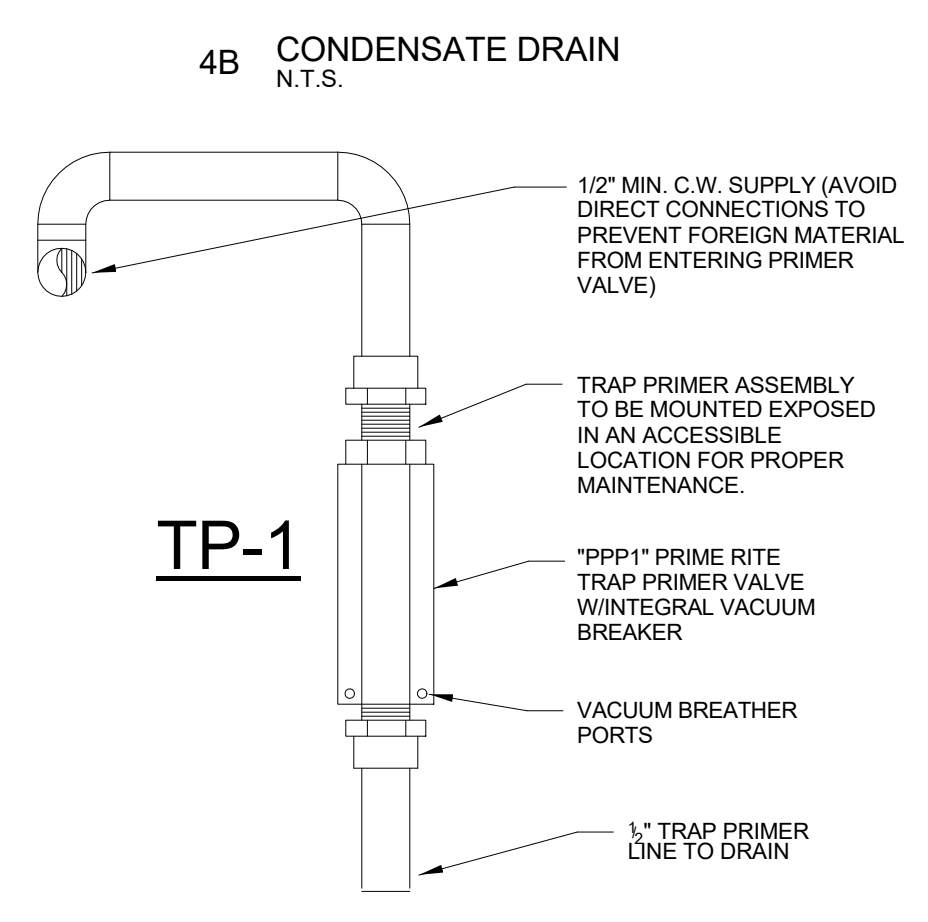
CONFIDENTIAL—DO NOT DISTRIBUTE



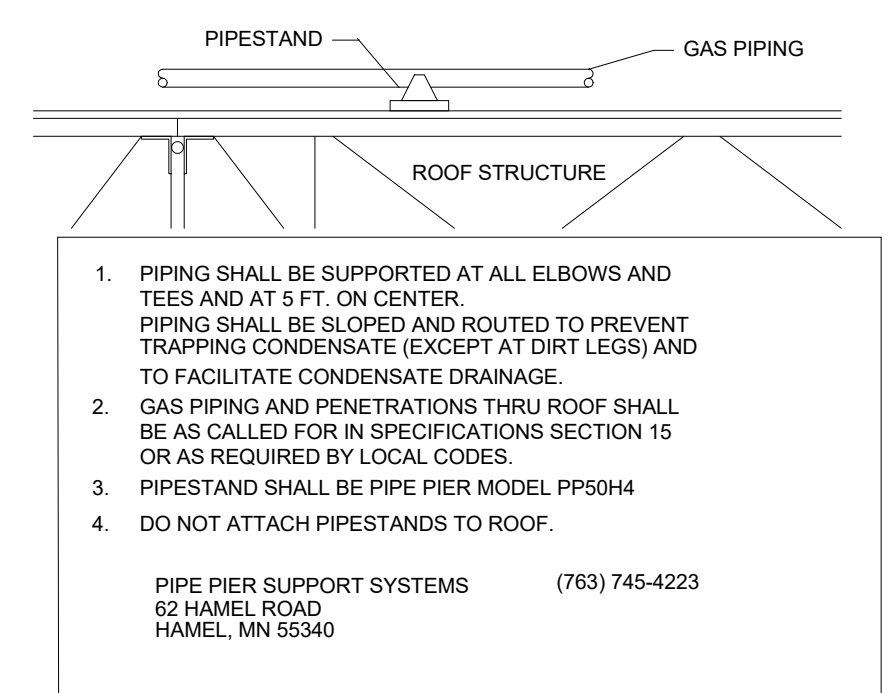
3A SCULLERY SINK DRAIN N.T.S. 4A INDIRECT DRAIN N.T.S.



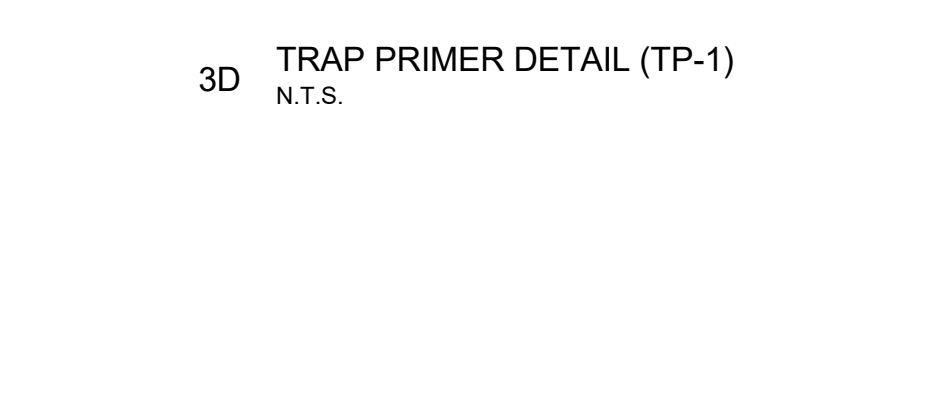
3B FLOOR CLEANOUT N.T.S.



4B CONDENSATE DRAIN N.T.S.

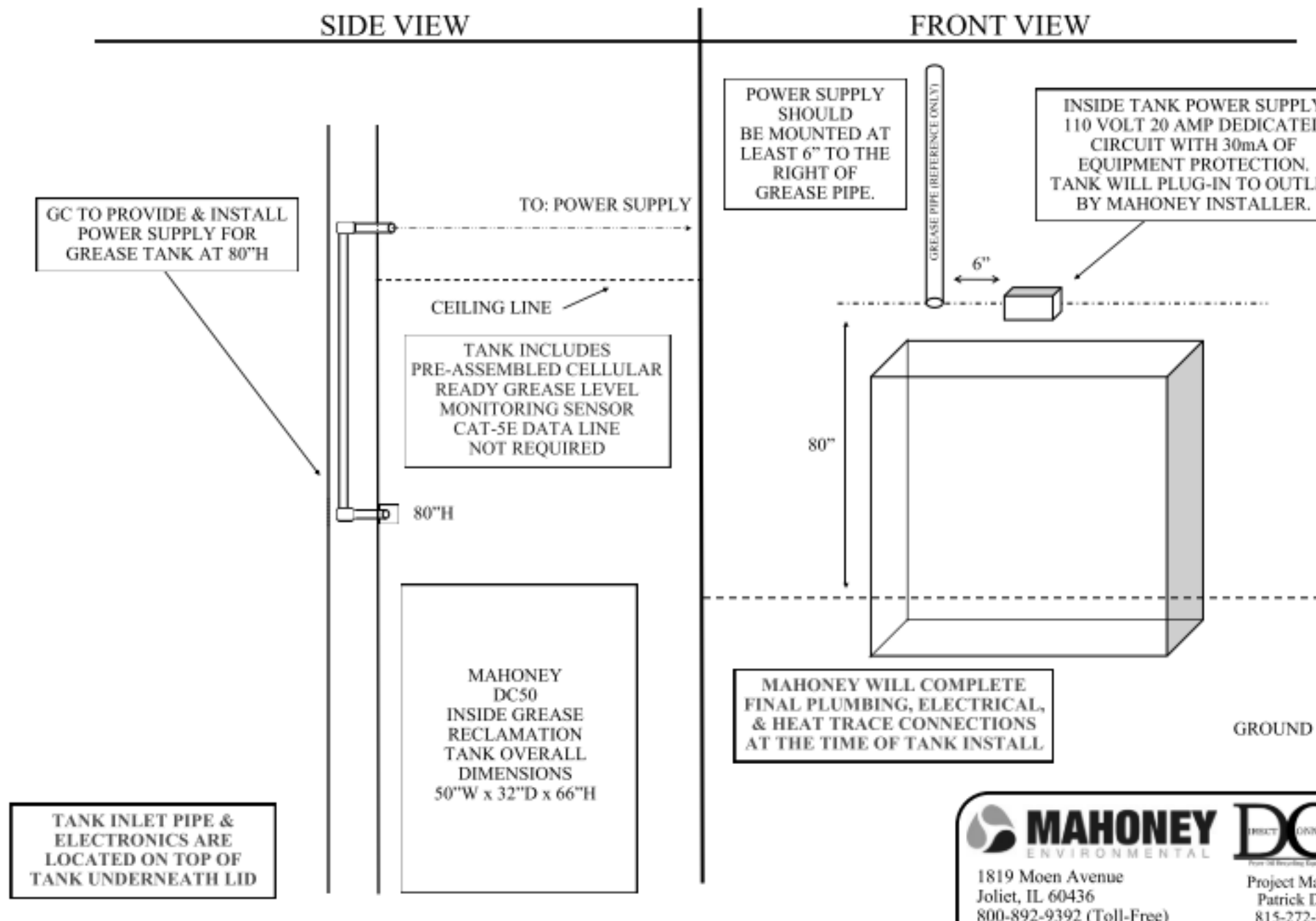


6D GAS SUPPORT DETAIL N.T.S.



3D TRAP PRIMER DETAIL (TP-1) N.T.S.

BUFFALO WILD WINGS INSIDE GREASE RECLAMATION TANK ROUGH-IN ELECTRICAL



MAHONEY DC
1819 Moen Avenue
Joliet, IL 60436
800-892-9392 (Toll-Free)
815-741-6443 (Fax)
www.mahoneydc.com

Project Manager
Patrick Darin
815-272-2140
patrickd@mahoneydc.com

REV: 09/25/2018

CONFIDENTIAL—DO NOT DISTRIBUTE

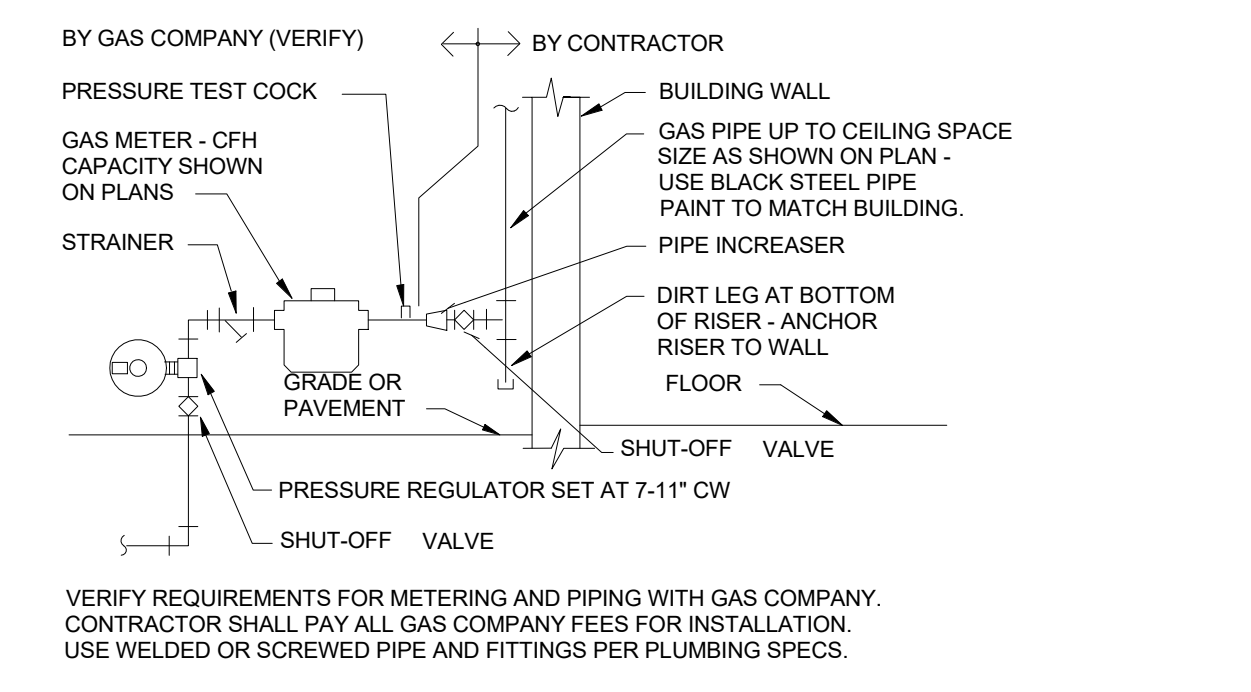
PLUMBING FIXTURE AND SPECIALTIES SCHEDULE (SEE COMPREHENSIVE EQUIPMENT SCHEDULE ON SHEET EQ201)

MARK	DESCRIPTION	CONNECTIONS			MODEL NUMBER AND NOTES	
		HW	CW	V		
P1	WATER CLOSETS ADA COMPLIANT	-	3/4"	2"	4"	ZURN: Z561 WATER CLOSET PROVIDE Z5872-COMB CLOSET BOLT & WAX RINGS KIT CHURCH: 9500SSCT SEAT
	SEAT					AMERICAN STANDARD: 0355.012 SYMMONS: S-20 SINGLE LEVER FAUCET
P-2	LAVATORIES	1/2"	1/2"	1 1/4"	1 1/4"	AMERICAN STANDARD: 0355.012 SYMMONS: S-20 SINGLE LEVER FAUCET
	LAVATORY FAUCET					SYMMONS: S-20 SINGLE LEVER FAUCET
	SUPPLIES					CHROME PLATED ANGLE STOPS WITH WHEEL HANDLE, CHROME PLATED FLEXIBLE BRASS RISER, INSULATE ALL EXPOSED WATER LINES AND VALVES
	WASTE					GRID DRAIN STRAINER, 1 1/4" TAILPIECE, 1 1/4" 17 GAUGE CHROME PLATED ADJUSTABLE BRASS P-TRAP WITH CLEANOUT PLUG, 1 1/4" CHROME PLATED BRASS WASTE TO WALL
P-3	MOP SINK	3/4"	3/4"	1 1/2"	3"	3/4" DOMESTIC HOT AND COLD WATER CONNECTION FOR 140 DEG. HOT WATER SUPPLY TO FAUCET. 1/2" HOT AND COLD WATER SUPPLY TO MIXING VALVE.
TP-1	TRAP PRIMER	-	1/2"	-	-	PRESSURE ACTIVATED TRAP PRIMER, BRASS CONSTRUCTION, PISTON OPERATED, ADJUSTMENT FOR VARIABLE PRESSURES. INSTALL TRAP PRIMER A MINIMUM OF 12" ABOVE THE TRAP BEING SERVED. PROVIDE AIR GAP FITTING WITH 1/2" MALE NPT INLET FITTING AND 1/2" FEMALE OUTLET FITTING, THREE TRAP APPLICATION
	DISTRIBUTION UNIT					COPPER BODY DISTRIBUTION UNIT, 4 - 3/8" FPT BRASS DISCHARGE FITTINGS, 1/2" MALE NPT COMPOSITE INLET, PROVIDE PLUGS AS REQUIRED BY APPLICATION
	FLOOR DRAIN			1 1/2"	3"	POLISHED NICKEL BRONZE STRAINER, HEAVY DUTY GRATE, COATED CAST IRON, TWO-PIECE BODY, DOUBLE DRAINAGE FLANGE, ADJUSTABLE EXTENSION AS REQUIRED BY APPLICATION, ADJUSTABLE COLLAR WITH SEEPAGE SLOTS, INVERTIBLE NON-PUNCTURING MEMBRANE CLAMP, BOTTOM OUTLET, OUTLET CONNECTION METHOD SHALL BE COMPATIBLE WITH PIPING MATERIALS IN ACCORDANCE WITH THE SPECIFICATIONS, 5" DIAMETER ROUND STRAINER, 1/2" TRAP PRIMER CONNECTION
	FLOOR SINK			-	3"	SQUARE, 12" X 12" X 6" DEEP FLOOR SINK, COATED CAST IRON BODY, WHITE ACID-RESISTING PORCELAIN ENAMEL, INTERIOR COATING, ANTI-SPLASH DOME, WHITE STRAINER, 1/2" GRATE OR FULL GRATE WITH CENTER OPENING, ADJUSTABLE EXTENSION AS REQUIRED BY APPLICATION, OUTLET CONNECTION METHOD SHALL BE COMPATIBLE WITH PIPING MATERIALS IN ACCORDANCE WITH THE SPECIFICATIONS
	FCO					ACID RESISTING COATED CAST IRON BODY, ADJUSTABLE, GAS AND WATER TIGHT ABS TAPERED THREADED INTERNAL CASING, VANDAL-PROOF FASTENERS, OUTLET CONNECTION METHOD SHALL BE COMPATIBLE WITH PIPING MATERIALS IN ACCORDANCE WITH THE SPECIFICATIONS, MEDIUM DUTY, ROUND SCORATED SECURED POLISHED BRONZE FRAME AND COVER WITH ANCHOR FLANGE, WITH "CO" IN COVER, INSTALLED FLUSH WITH FINISHED FLOOR, PROVIDE CARPET MARKERS WHERE INSTALLED BELOW CARPET
	WCO					ACID RESISTING COATED CAST IRON CLEANOUT TEE, COUNTERSINK BRONZE PLUG, ROUND STAINLESS STEEL SECURED ACCESS COVER, ACID RESISTING COATED CAST IRON CLEANOUT TEE, COUNTERSINK BRONZE PLUG, ROUND STAINLESS STEEL, SECURED ACCESS COVER, STANDARD FASTENERS

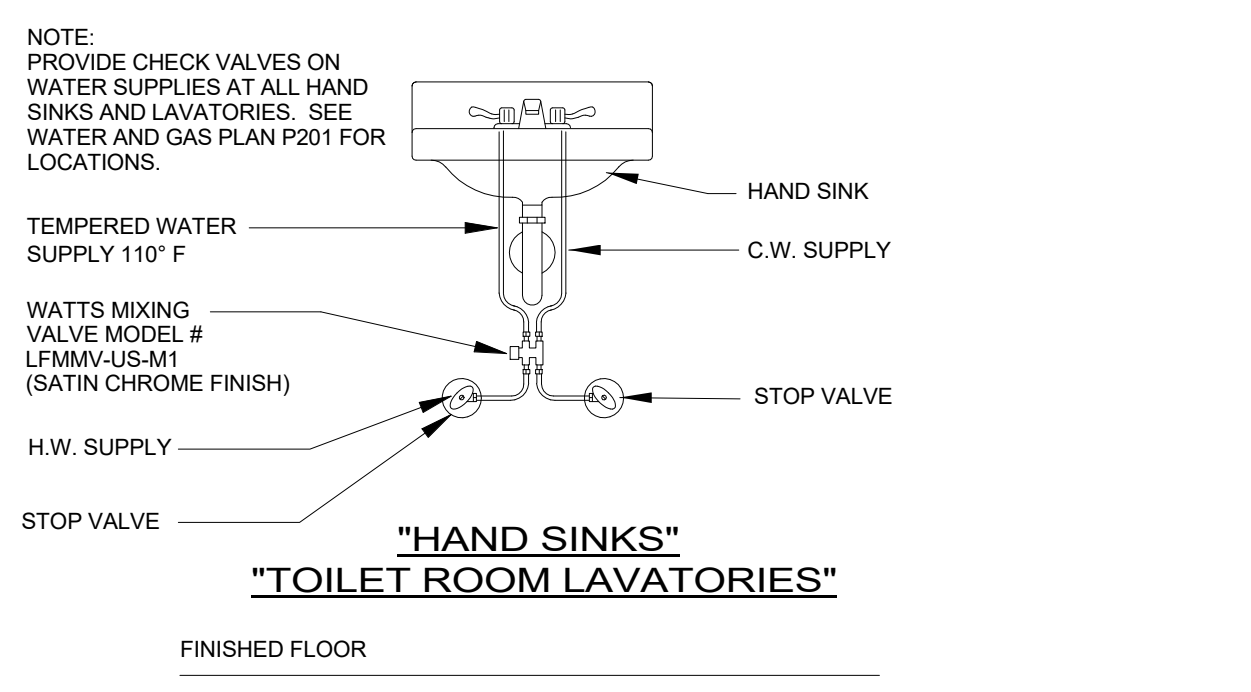
ITEM	FURNISHED	INSTALLED	REMARKS
MAHONEY GREASE STORAGE TANK	OV	OV	SEE NOTES
REMOTE SIGNAL SYSTEM	OV	OV	ROUGH-IN BOXES, CONDUIT AND PULL STRING BY GC
FRYER HOSES AND HEAT TRACE FROM T1 FITTING TO FRYERS	OV	OV	
COVER CHASE	OV	OV	SEE DETAIL BELOW
HEAT TRACE AT CAST IRON PIPE	OV	GC	REQUEST HEAT TRACE FROM OV AS SOON AS LENGTH IS KNOWN ALLOW 5' EXTRA WHIP AT EACH END FOR FINAL CONNECTION BY OV
ELECTRICAL ROUGH-IN	GC	GC	REFER DETAILS
CAST IRON PIPE	GC	GC	SURFACE MOUNTED AT WALLS REFER DETAILS
EVACUATION PORT (INT SYSTEM ONLY)	OV	OV	OV TO DRILL HOLE AND SEAL

GC TO ASSUME ALL INFORMATION ASSOCIATED WITH THE DRAINAGE RECOVERY SYSTEM AND NOT INDICATED ON DRAWING OR SCHEDULE TO BE THE SOLE RESPONSIBILITY OF THE GENERAL CONTRACTOR

OV - OWNER VENDOR
GC - GENERAL CONTRACTOR



5C GAS METER DETAIL N.T.S.



6E MV-1 MIXING VALVE N.T.S.

GREASE INTERCEPTOR CALCULATIONS Reviewed by: Tye

Reference No. 21058 Project Name: Buffalo Wild Wings Go - Glendale, AZ

Step 1: Flow rate to grease interceptor
Fixture flow rate: (cu in / 231) x gal x 0.75 / 2 min = 2 min flow rate

MARK	FIXTURE	DIMENSIONS	QTY	CU IN	FLOW RATE
FD-1	Floor Drain	N/A	2	N/A	N/A
P3	Mop Basin	24" x 24" x 10"	1	5,760	9.35 GPM
QW-02L	Prep Sink One Bowl	21" x 21" x 14"	1	6,174	10 GPM
QW-03	3 Compartment Sink	21" x 21" x 14" (3)	1	18,522	30 GPM

Total **49.35 GPM**

Flow rate used to size interceptor (less of fixture or pipe size)
Pipe Size flow rate per Manning's Formula **35 GPM**

Step 2: Grease Production
Servings per day x Grease production value x Days between pump-outs = Grease output
Number of meals served per day: 350
Grease production value: 0.035 lbs per serving (Fried Chicken: High / No flatware)
Days between pump-outs: 90 days
350 x 0.035 x 90 = 1102.5 lbs of FOG

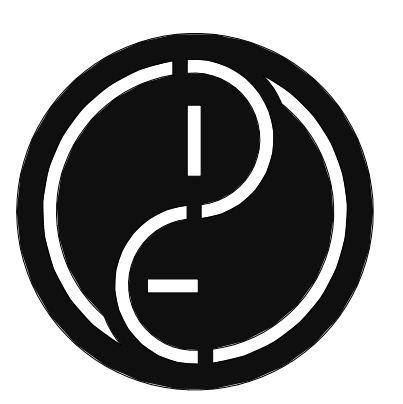
SCHIER MODEL	Description: Polyethylene Grease Interceptor
GB-250	Dimensions: Length: 87", Width: 33", Height: 44" Flow Rates/Grease Capacities: 100 GPM / 1895.0 lbs Liquid Capacity: 277 gal

MAHONEY DC
1819 Moen Avenue
Joliet, IL 60436
800-892-9392 (Toll-Free)
815-741-6443 (Fax)
www.mahoneydc.com

Project Manager
Patrick Darin
815-272-2140
patrickd@mahoneydc.com

REV: 09/25/2018

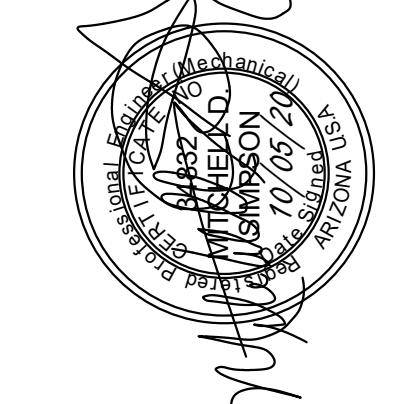
CONFIDENTIAL—DO NOT DISTRIBUTE



1485 Hixgale Circle Brentwood, TN 37027
Phone: 615.370.1779 www.dandeng.com



10000 Highway 100
Brentwood, TN 37027
Phone: 615.370.1779 www.entecheng.com



PROJECT NUMBER 10-0393

BUFFALO WILD WINGS
BWW GO TENANT BUILDOUT
5809 WEST NORTHERN AVENUE, STE. 120
GLENDALE, ARIZONA

TENANT IMPROVEMENT OF INLINE FORMER RESTAURANT SPACE



3 GLENLAKE PARKWAY NE
BWW DESIGN TEAM
ATLANTA, GA 30328
PHONE 678.514.4100

DATE	REVISION DESCRIPTION
04/22/2020	PERMIT SET
	NO

Drawing Title
PLUMBING SCHEDULES & DETAILS